

MS-CONNECT 5100

Concentrator & Protocol Converter



The MS-Connect 5100 serves as a data collector and manager for automatic ID networks with Microscan readers. Use the MS-Connect 5100 to connect and configure up to 32 readers in minutes with simple menu-driven software. The compact device features multiple communication options, including Ethernet protocols for high speed communication with a host.

The MS-Connect 5100 provides an ideal communication tool for use with any Microscan scanner or imager.

MS-Connect 5100: Easy Communication

- Protocol conversion allows communication via Ethernet
- Supports polling of up to 32 readers using RS-485
- Programming port options include USB and RS-232
- Provides serial data transmission rates up to 115,200 baud

For more information on this product, visit www.microscan.com.

Protocols

The MS-Connect 5100 provides communication to a host using serial or Ethernet communication. Ethernet TCP/IP and Ethernet IP protocols are available out of the box. Other protocols are available with optional expansion cards.

Programming Ports

The MS-Connect 5100 can be easily programmed using the USB port or the RS-232 port via an RJ12 connector.

Time and Date Stamp

This option allows the user to select the time and date format to prepend to the data decoded by a reader.

Continuous Polling

The MS-Connect 5100 uses RS-485 multidrop protocol for uninterrupted communication between the concentrator and the multidrop network.

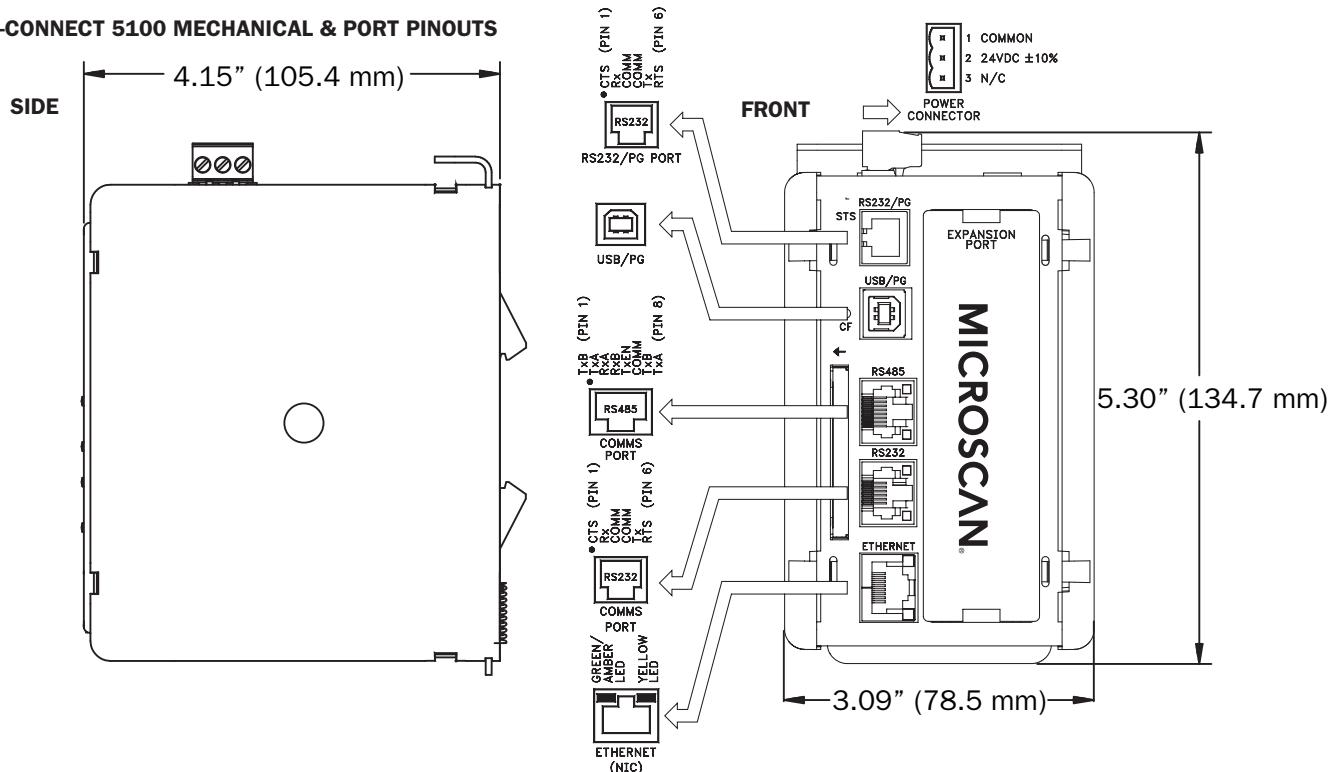
Simple Configuration

ESP software allows you to configure the MS-Connect 5100 and the networked readers within minutes.



MS-CONNECT 5100 SPECIFICATIONS AND OPTIONS

MS-CONNECT 5100 MECHANICAL & PORT PINOUTS



MECHANICAL

Length: 4.15" (105.4 mm) **Width:** 3.09" (78.5 mm)
Height: 5.30" (134.7 mm) **Weight:** 15.1 oz. (456.4 g)

ENVIRONMENTAL

Operating Temperature: 0° to 50° C (32° to 122° F)
Storage Temperature: -30° to 70° C (-22° to 158° F)
Operating and Storage Humidity: 80% max relative humidity, non-condensing, from 0 to 50° C (32° to 122° F)
Vibration: According to IEC 68-2-6: 5 to 150 Hz, in X, Y, Z direction for 1.5 hours, 2 g's
Shock: According to IEC 68-2-27: Operational 30 g, 11 msec in 3 directions
Altitude: Up to 2000 meters

ELECTRICAL

Power: 24 VDC ± 10% 200 mA min., without expansion card 1 Amp maximum with expansion card fitted; must use Class 2 or SELV rated power supply

COMMUNICATIONS

USB/PG Port:
 Adheres to USB specification 1.1, Device only using Type B connection
Serial Ports:
 RS-422/485 port via RJ45, and RS-232 port via RJ12 Format and Baud Rates for each port are individually software programmable up to 115,200 baud
Ethernet Port:
 10 BASE-T / 100 BASE-TX RJ45 jack is wired as a NIC (Network Interface Card)

LEDS

STS: Status LED indicates condition of MS-Connect 5100
TX/RX: Transmit/Receive LEDs show serial activity
Ethernet: Link and activity LEDs

MEMORY

Memory Card: CompactFlash Type II slot for Type I and Type II cards to be used for profile loading only

REAL-TIME CLOCK

Typical accuracy is less than one minute per month drift. SNTP facility allows synchronization with external servers.

CONSTRUCTION

Case body: Black high impact plastic and stainless steel, Installation Category I, Pollution Degree 2.8
Battery: Lithium Coin Cell, Typical lifetime of 10 years at 25° C

POWER CONNECTION

Terminal Block: Removable wire clamp screw
Wire Gage Capacity: 24 AWG to 12 AWG
Torque: 4.45 to 5.34 in/lb (0.5 to 0.6 N-m)

MOUNTING

Type: Snaps onto standard DIN style top hat (T) profile mounting rails according to EN50022 -35 x 7.5 and -35 x 15

ELECTROMAGNETIC COMPATIBILITY

Emissions and Immunity to EN 61326: Electrical Equipment for Measurement, Control and Laboratory use

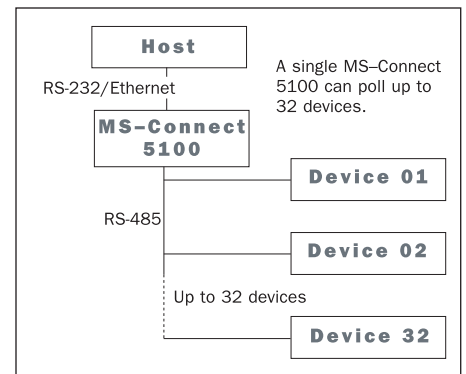
IMMUNITY TO INDUSTRIAL LOCATIONS:

Electrostatic discharge: EN 61000-4-2: Criterion A2, 4kV contact discharge, 8kV air discharge
Electromagnetic RF fields: EN 61000-4-3: Criterion A, 10 V/m
Fast transients (burst): EN 61000-4-4: Criterion A, 2 kV power, 2 kV signal
Surge: EN 61000-4-5: Criterion A, 1 kV L-L, 2 kV L&N-E power
RF conducted interference: EN 61000-4-6: Criterion A, 3 V/rms

EMISSIONS

Classification: EN 55011 Class A

TYPICAL NETWORK



SAFETY CERTIFICATIONS DESIGNED FOR

FCC, CE, UL/cUL

ROHS/WEEE COMPLIANT

ISO CERTIFICATION

Certified ISO 9001:2008 Quality Management System

©2011 Microscan Systems, Inc. SP023D 01/11

Warranty—One year limited warranty on parts and labor. Free extended 3 year warranty upon online product registration.

MICROSCAN®

Microscan Systems Inc.

Tel 425 226 5700 / 800 251 7711
 Fax 425 226 8250

Microscan Europe

Tel 31 172 423360 / Fax 31 172 423366

Microscan Asia Pacific

Tel 65 6846 1214 / Fax 65 6846 4641

www.microscan.com

Product Information: info@microscan.com
 Auto ID Support: helpdesk@microscan.com
 Vision Support: visionsupport@microscan.com
 NERLITE Support: nerlitesupport@microscan.com