

# 2D Barcode Products & Solutions



## **About our Company**

**Our company is a leading developer, marketer and manufacturer of 2D barcode products & solutions.**

**We are committed to providing our customers with reliable and quality products at the competitive cost. Our new advanced 2D barcode solutions have been introduced to the market released by our own proprietary 2D barcode engine and algorithm.**

**Various barcode solutions including world-wide smallest Miniature Engine,**

**In the fast growing communication industries, we are committed to empowering our customers to be more competitive and flexible to various market requirements to new innovative quality products and services.**

**Our company's achievements in the future will be made by our continued research & development, timeliness for the introduction of new advanced technologies, products and the dedicated works of dedicated people to the customers.**

**Contact to SMCLEVER for more detail technical Information, System Development, Hardware Design, Software Development and OEM/OEM.**

# Products & Solutions

2D Barcode Miniature Engine (CSE-6100)

CSE-6100 SDK

CSWedge (Software Keyboard Wedge)

Serial to HID Keyboard Converter

## 2D Barcode Miniature Engine (CSE-6100)

CSE-6100 is new small 2D barcode engine for OEM systems & hardwares. This miniature engine enables customers to fast and reliably integrate 2D barcode decoding solutions into target systems & and hardwares. This engine can also to be provided in software to customers with the same Features and benefits of handheld scanner products.



### Features / Benefits

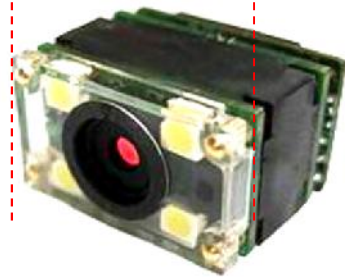
- ◆ **World-wide smallest Miniature style.** [20mm(W)\*12.5mm(H)\*17.5(D)]
- ◆ **All-in-One Model.** (Light LED + Image Sensor Module + Decoding Module)
- ◆ **Wide Viewing Angle.** (Wide  $\pm 53^\circ$ , Standard  $\pm 40^\circ$ )
- ◆ **Red / Green / Blue or White LED Lighting Architecture** for various target material.
- ◆ **Smart Laser Aiming.**
- ◆ **Real-time Image Uploading.** (within JPEG Engine)
- ◆ Quack and easy integration into target system and hardware.
- ◆ Flexible OEM customization.
- ◆ Lightweight optical module for reading symbols in most demanding environments.
- ◆ Fast decoding of 1D/2D symbols.
- ◆ Omni-directional reading.
- ◆ Full support to 2 byte characters with Chinese QR.
- ◆ Easy firmware upgrade.
- ◆ Low power consumption for PDA application or Wireless solutions.
- ◆ Competitive price.
- ◆ SDK(CSE-6000SDK) for test and evaluation.
- ◆ Technical Support for PDA application or other target machine.

## Compare with HHP Engine

HHP 5x80 [ 38.35(W)\*19.43(H)\*28.23(D) mm ]

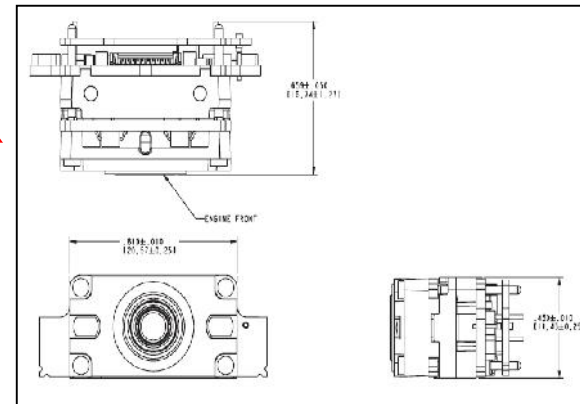
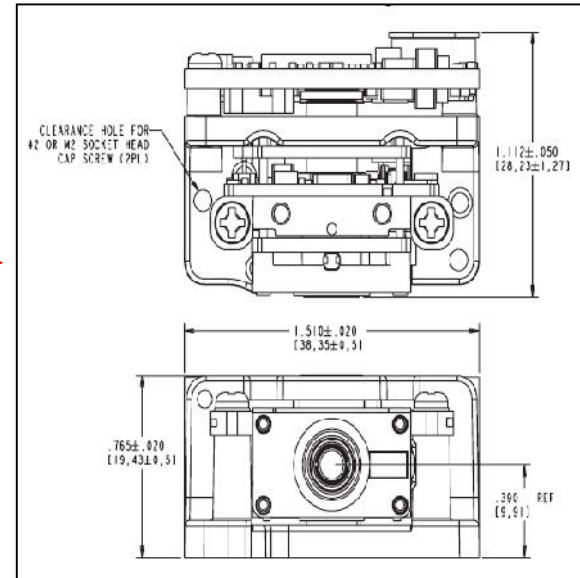


Decoder



Our Engine with Decoder  
[20(W)\*12.5(H)\*17.5(D) mm]

HHP Imager + Decoder  
[ 38.35(W)\*19.43(H)\*28.23(D) mm ]



HHP Imager  
[20.57(W)\*11.43(H)\*16.74(D) mm]

## Specifications

### Performance Characteristics

Image Sensor	CMOS Sensor, Max. 752*480, 8-bit grayscale
Target Distance	5~32.5cm : Depends on code size.
Viewing Angle	Wide $\pm 53^\circ$ , Standard $\pm 40^\circ$
Aiming Pattern	Laser Aiming
Ambient Lighting	Total darkness to full sunlight
Directions	360 <sup>o</sup> omni-directional

### Symbologies

1 Dimensional	Code11, Code32, Code39, Code93, Code128, UPC/JAN/EAN, Codabar, Interleaved 2 of 5, STF, RSS14, RSS Limited, RSS Truncated
2 Dimensional	PDF-417, Data Matrix, QR Code (including Chinese QR),
OCR	Application-specific OEM only

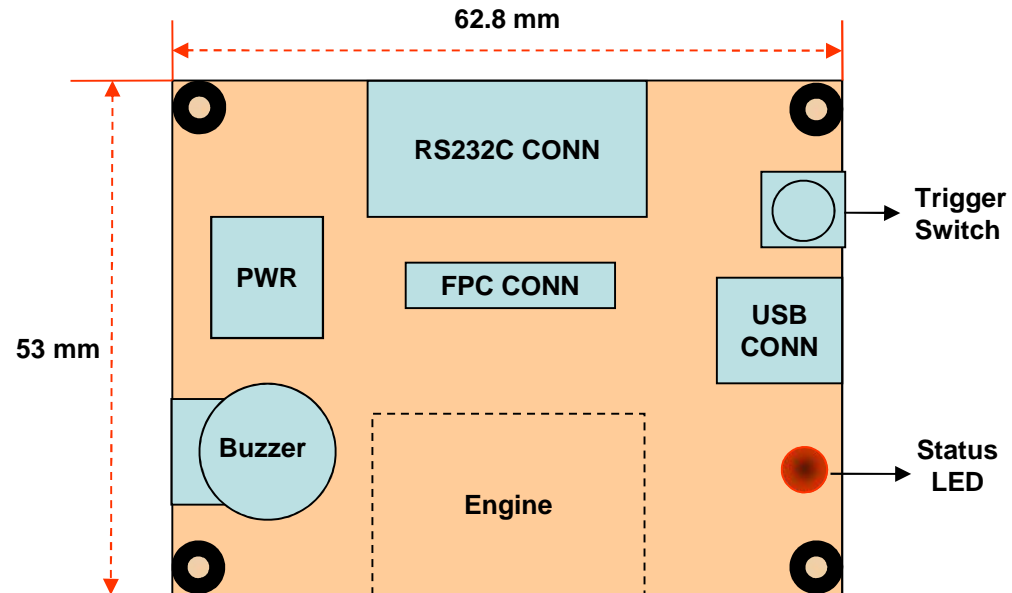
\* means under development

### Environments & Regulatory

Operating Temperature	-10°C to +50°C (-14°F to 122°F)
Operating Storage	-20°C to +60°C (-4°F to 140°F)
Shock	Multiple 4ft/1.2M drop to concrete
Humidity	0 to 95%
Certifications	FCC Class A & CE

## CSE-6100 SDK

- ❖ CSE-6100SDK/RS232C : RS232C interface
- ❖ CSE-6100SDK/USB : Serial to USB bridge interface
- ❖ CSE-6100SDK/HID : HID keyboard interface



## CSWedge (Software Keyboard Wedge)

**CSWedge is a software keyboard wedge converter Which converts data from either RS-232C or USB port Into keyboard input and transfers them to application Program.**

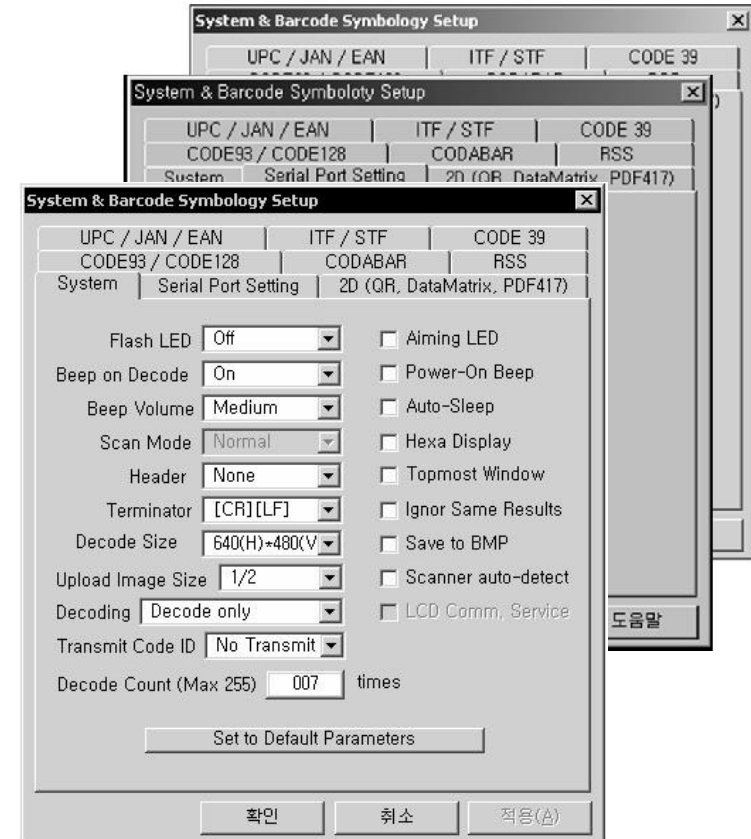


- **CSWedge is displayed on system tray of PC.**
- **CSWedge gets active and is displayed on the most upper part of window, once data is input, even though it is not seen on window by other application programs or it is minimized on window.**
- **All application programs used on PC are displayed on List Box. User can select the application program on which user wants decoding data to be displayed, on List Box by double clicking on it.**





## Setup Program (CSCenter)



## Serial to HID Keyboard Converter

Serial to HID keyboard interface converter transfers serial data to host by keyboard input.  
This feature can be applied to scanner by customer's request.

- ◆ External stand-alone type available
- ◆ Change available from CS-6100M (2D handheld scanner) USB to CS-6100M HID
- ◆ Miniature Engine SDK is support HID Keyboard Interface. (Optional)



**에스엠클레버**

서울시 강서구 화곡6동 1107 VIP오피스텔 B1 3-1  
TEL : 02-2065-0300 , FAX : 02-2065-0380